



ATLAS FILTRI®

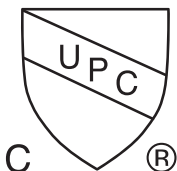
improving water

INSTRUCTIONS FOR INSTALLATION AND MAINTENANCE OF HYDRA BIG SELF-CLEANING FILTERS

Dear Customer,

Thank you for choosing this product manufactured in Italy by ATLAS FILTRI S.r.l., assembled and marketed in the USA and Canada by ATLAS FILTRI NORTH AMERICA, LLC. The filter has been designed and manufactured in Italy using over 40 years of expertise in the industry.

Copyright: This manual of instructions cannot be reproduced, in whole or in part, in any form (including its recording, digitalization or photocopying) without the written consent of Atlas Filtri North America, LLC.



CONFORMITY CERTIFICATES

ATLAS FILTRI FILTER HOUSINGS COMPLY WITH THE FOLLOWING INTERNATIONALLY ACCEPTED STANDARDS:

HYDRA BIG self-cleaning filter series **certified by IAPMO R&T against NSF/ANSI Standards 42, 61, 372 and CSA B483.1 for material safety, structural integrity and lead free requirements.**

TABLE OF CONTENTS

1	Safety Alert Symbols	2
2	General Information	2
3	Personnel's Qualification	2
4	Precautions, Warnings	2
5	Installation	3
6	Start Up	4
7	Use	4
8	Spare Parts	5
9	Maintenance	5
10	Troubleshooting	7
11	Filter and Cartridge Disposition	7
12	LIMITED WARRANTY	7

Contact:

ATLAS FILTRI North America LLC
1068 North Farms Road Bldg. #3 - Wallingford, CT 06492, USA
Phone +1(203)284-0080 - Fax +1(203)294-9226
e-mail: atlasfiltrinorthamerica@atlasfiltri.com

A Company of the Atlas Filtri Group.
us.atlasfiltri.com

Atlas Filtri S.r.l.
Headquarter and
production in Italy

COMPANY WITH
MANAGEMENT SYSTEM
CERTIFIED BY DNV
ISO 9001 • ISO 14001
ISO 45001

1 - Safety Alert Symbols



WARNING SIGN: Indicates a potentially hazardous situation which, if not avoided, could result in death or serious injury. It highlights conditions that are a serious risk for personal safety.



CAUTION SIGN: Indicates a potentially hazardous situation which, if not avoided, may result in a minor or moderate injury, and to alert against unsafe practices.



NOTICE SIGN: Alerts you to pertinent facts and conditions.

2 - General Information



PLEASE READ THIS INSTRUCTION MANUAL THOROUGHLY AND CAREFULLY AND UNDERSTAND ITS CONTENTS BEFORE INSTALLING YOUR ATLAS FILTRI FILTER HOUSING.

- The information in this instruction manual is subject to modifications without prior notice and is not binding on the manufacturer Atlas Filtri North America, LLC.
- Keep the instruction manual for future reference.

Contact: See page 1

Product Identification: A label carrying product identification, serial number, production batch is applied on the package of the product. An additional label describing maximum working pressure and maximum working temperature is applied to the filter housing.

The label must not be removed, tampered, hidden, covered, or changed.

If the label on the product is missing or the operational conditions on the label are not legible, DO NOT INSTALL the filter and contact Atlas Filtri North America LLC Authorized Distributors or contact the manufacturer by e-mail at atlasfiltrinorthamerica@atlasfiltri.com.



The values of the maximum working temperature and the maximum working pressure shown in the label affixed to the filter housing are intended as maximum working parameters and must not be exceeded under any circumstance.

3 - Personnel's Qualification

ONLY QUALIFIED AND LICENSED PERSONNEL MAY PERFORM INSTALLATION, SERVICE AND MAINTENANCE OF THE ATLAS FILTRI FILTERS.

4 - Precautions, Warnings

READ ALL INSTRUCTIONS AND PRECAUTIONS BEFORE INSTALLING AND USING YOUR ATLAS FILTRI PRODUCT.



Before installation ensure that any electric plugs in the vicinity of the area are disconnected.



Do not install near electric appliances.



Do not use with water that is microbiologically unsafe or of unknown quality without adequate disinfection before or after the system. Systems certified for cyst reduction may be used on waters that contain filterable cysts.

CAUTION

Turn-off the water main before installation.

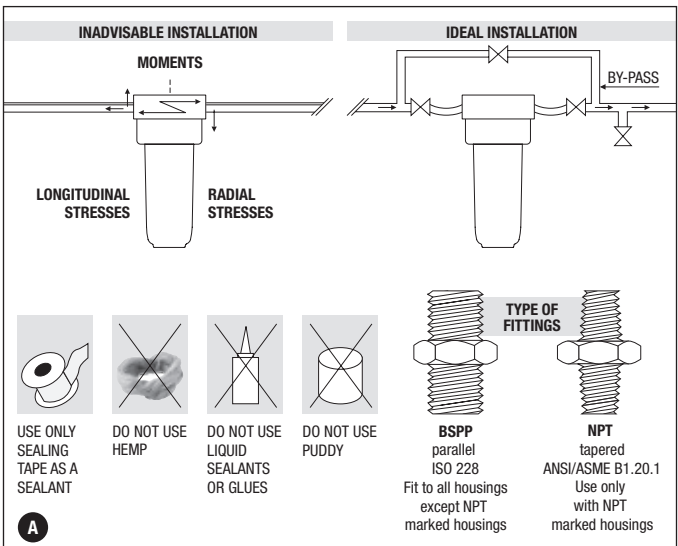
5 - Installation

Refer to Fig. A, B and C for installation directions.

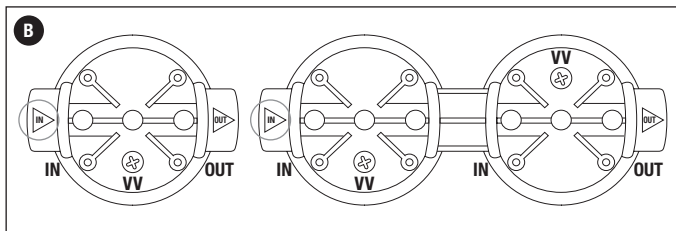
- Before installation, check if the plumbing system has been constructed according to the applicable plumbing code.
- Avoid all kinds of stress by using the wall bracket provided. Should the use of the wall bracket be impossible, the installer (qualified and licensed personnel) shall be responsible for the most appropriate installation avoiding stress which may affect the filter's integrity.
- Connect the inlet to the product's side with the arrow IN and the outlet to the side with the arrow OUT. (Fig. B)
- **Connect to pipes using tapered fittings ONLY in the case of NPT marked filter housing and/or in the case of filter housing specified as NPT in the label affixed in the package of the product.**
Preferably connect to pipes using flexible hoses.
- Use only sealing tape as a sealant for the connections.
- The installation of a by-pass is recommended (see Fig. A).
- Install the provided drain kit to the filter sump: screw the drain-valve to sump male threaded connection, then screw the drain funnel (or the hose fitting) to the drain-valve, making sure the 2 gaskets provided with the ball-valve are in place and well positioned.
- In case of HYDRA BIG M (models with gauges): screw the provided gauges to the dedicated ports on top of Hydra BIG head, using sealing tape to provide tightening.
- Connect a reinforced rubber hose to the drain funnel (or hose fitting) at the base of the filter, secure with a clamp and have it discharge into the drain (see figures D1 and D2). The drain point must be lower than the drain funnel or hose fitting. The rubber hose must not be more than 6.5 feet (2 metres) long.

WARNING

Avoid bending or pinching the rubber tube reinforced with canvas: this could generate counter-pressure against the drain with consequent malfunctions.



Modes for presentation of inlet and outlet directions (arrows) in different filter housings models



6 - Start Up

- Keep the filter package with label affixed to identify the product.
- Ensure that the sealing is tight and secure.
- As the installation of the filter and the connection of the rubber hose to the drainage are made, proceed as follows:
 - by gradually opening the water supply to the filter, make sure there is no water leaking;
 - gradually fill the filter to the top then release air in the filter by opening the vent-valve on the head of the filter, making sure all air is released and the filter becomes completely filled with water, then tighten the vent-valve.
- After the installation, run the tap and let the water flow for at least 5 minutes before use.

CAUTION

The initial quality of the water will not be optimal unless the tap runs for at least 5 minutes before use.

7 - Use (check the label on the package to identify the product series and model)

- Refer to Figure C for installation layout.
- HYDRA BIG series of filter housing are certified by IAPMO RT against NSF/ANSI Standards 42, 61, 372-lead free, CSA B483.1 for the filtration of drinking water. Do not use for the filtration of drinking water, do not use for filtration of water that is unsafe or of unknown quality.
- Check for the filter model from the label applied on the product package and from the legend "Sticker Legend" printed on the package.
- Respect the working parameters shown in the label affixed to the filter housing.
- If pressure exceeds the working conditions, protect the product with a pressure reducer.
- Keep protected from light. Supply cold water only, with pH in the range of drinking water.
- Protect from excessive cold or heat: do not expose to temperature below 39°F (4°C) or above 113°F (45°C).
- Protect from back-flows of water with a non-return valve.
- Protect from hammering with an anti-hammering device.
- Should the filter be unused for 1 week or more remove the cartridge, wipe clean and store in clean, dry place. Insert the cartridge back into the filter only prior to use.

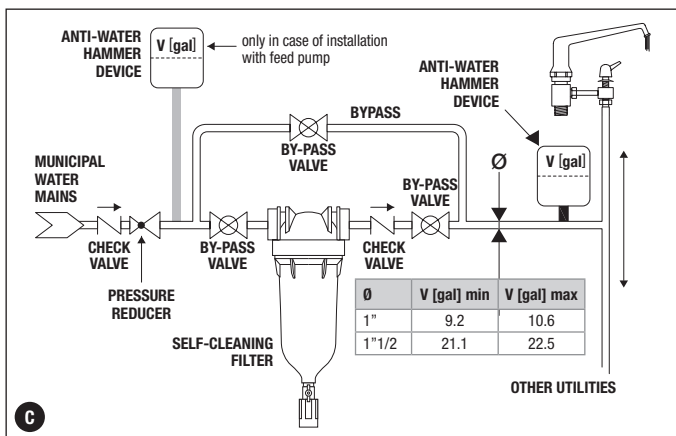
CAUTION



The values of the maximum working temperature and the maximum working pressure shown in the label affixed to the filter housing are intended as maximum working parameters and must not be exceeded. Use of the filter housing under higher pressure and/or higher temperature conditions could cause ruptures.

INSTALLATION LAYOUT

Check from the table for the appropriate device volume (V) depending on piping diameter (\emptyset).



8 - Accessories and spare parts

Accessories and spare parts are available through the Atlas Filtri North America LLC Authorized Distributors wholesalers and retailers network. In case of difficulties contact Atlas Filtri North America LLC by e-mail at atlasfiltrinorthamerica@atlasfiltri.com.

NOTICE

Use only original ATLAS FILTRI spare parts.

The use of non-original ATLAS FILTRI spare parts voids the warranty.

9 - Maintenance

Routine maintenance consists in cleaning the filter cartridge with a back-wash in counter-current operation by opening the bottom drain valve for 15-20 seconds.

The minimum required flowrate for effective backwashing is 8.8 gpm (RAH) or 10.6 gpm (RLH).

If the cartridge is not perfectly clean after washing, repeat the operation with the same procedure one or more times until the desired cleanliness is reached. If acceptable cleanliness is not achieved for a good filter operations, follow the procedure as described below.

- Opening the drain-valve generates a pressure-drop in the filter that pushes the cartridge downward, automatically reversing water flow from the inside (counter-current) out of the cartridge (see Fig. E1). This water flow in counter-current carries particles and substances deposited on the cartridge to the drain.
- Closing the drain-valve after a couple of seconds returns pressure distribution to its initial conditions and the internal spring returns the cartridge to its service position (see Fig. E2).

The HYDRA BIG filter features a drain funnel, which is a device designed to protect potable water from pollution by backflow, in accordance with European standard UNI EN 1717/2002.

NOTICE

The above described operating modes and the back-wash cleaning occur in excellent conditions with minimum 26 psi (1.8 bar) supply pressure.

The minimum required flowrate for effective backwashing is 8.8 gpm (RAH) or 10.6 gpm (RLH).

In time, routine cartridge cleaning may become difficult due to high dirt loads blinding the cartridge net.

In this case, additional cartridge cleaning is required as follows:

- shut-off water flow upstream from the filter;
- open the drain-valve and run the water flows until empty;
- open the filter by unscrewing the sump from the head using the supplied wrench;
- remove the cartridge (wearing protective gloves to prevent scratches due to cartridge materials);

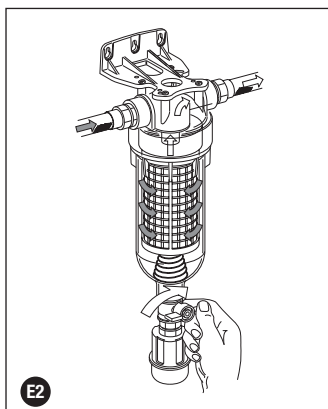
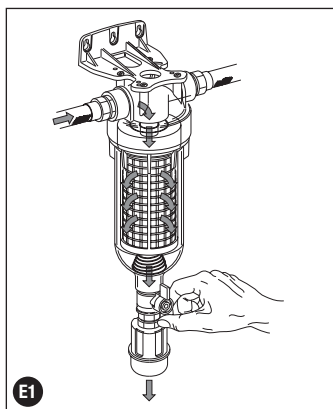
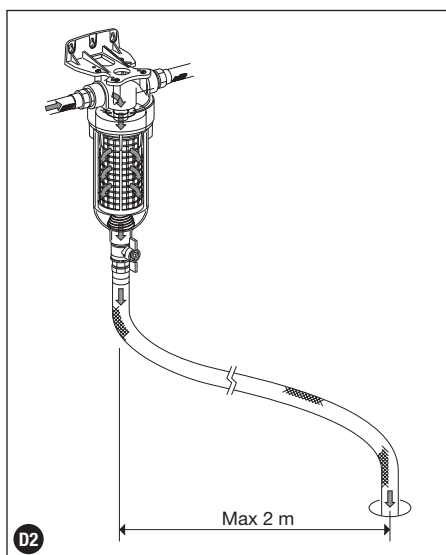
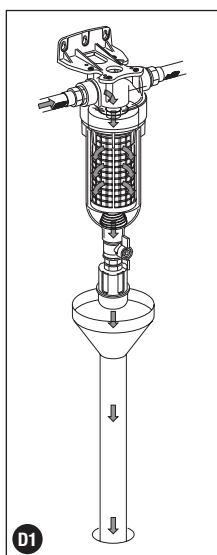
- clean the cartridge under a jet of cold water and use a soft brush to remove impurities;
- insert the clean cartridge back in the sump;
- screw the sump to the head;
- follow the procedure under “FILTER START-UP” to put the filter in service.

CAUTION

In case of persistent encrustations onto the filter net or if the pressure difference between the two gauges remains above 21.8 psi (1.5 bar) after cleaning the filter, replace the filter cartridge with a new one.

CAUTION

After carrying out maintenance operations, run a faucet downstream of the filter for at least 5 minutes before using the water.



10 - Troubleshooting

MALFUNCTION	CAUSE	REMEDY
Water does not run from faucets	<ul style="list-style-type: none"> - Cartridge clogged - Sump broken - By-pass closed. 	<ul style="list-style-type: none"> - Clean the cartridge following the maintenance procedure - Replace the sump and o-ring - Open the closed cut-off valve or by-pass.
Unfiltered water runs from faucets	<ul style="list-style-type: none"> - Cartridge broken - Spring broken - Cartridge gasket damaged 	<ul style="list-style-type: none"> - Replace the cartridge - Replace the spring - Replace the cartridge gasket
The cartridge does not clean during self-cleaning operation	<ul style="list-style-type: none"> - Insufficient pressure in the sump - Cartridge not correctly positioned in the sump 	<ul style="list-style-type: none"> - Check the drain hose: if pinched or bent, correct the problem - Rotate the cartridge clockwise or counter-clockwise so that it moves vertically without strain in the bowl
Water leaks between the filter head and sump.	<ul style="list-style-type: none"> - Sump o-ring damaged 	<ul style="list-style-type: none"> - Replace the o-ring and lubricate.
Water leaks from connections between pipes and from the sides of the filter IN/OUT ports	<ul style="list-style-type: none"> - Sealant insufficient 	<ul style="list-style-type: none"> - Add a few turns of sealing tape and tighten fittings until snug
Water leaks between the sump and drain valve	<ul style="list-style-type: none"> - Drain valve gasket damaged 	<ul style="list-style-type: none"> - Replace the gasket

11 - Filter Housing and Cartridge Disposal

Filters housings and used filter cartridges must be disposed of in accordance with applicable rules and regulations.

12 - LIMITED WARRANTY

- a) Limited Warranty:** Atlas Filtri North America, LLC warrants for a period of 12 months from the date of purchase of the filter that each new Atlas Filtri North America, LLC filter shall be free, under normal use and maintenance, from any defect in material and workmanship subject to the following exclusions and limitations.
- b) Exclusions:** The warranty offered by Atlas Filtri North America, LLC is not applicable to the following:
- (i)** Wear and tear of the cartridge and any components as part of their normal function, including without limitation gaskets.
 - (ii)** Installation, tampering, modifications, lack of or incorrect maintenance, maintenance carried out not in accordance with Atlas Filtri North America, LLC instructions or by non-qualified personnel.
 - (iii)** Installation and/or use of parts or other non-original Atlas Filtri North America, LLC components.
 - (iv)** Installation of the filter in unsuitable environments and/or in conditions not contemplated in the instructions manual.
- c) Limitations:** The liability of Atlas Filtri North America, LLC under this limited warranty is limited solely to the replacement of defective product by an authorized Atlas Filtri North America, LLC distributor at its normal place of business during normal business hours, excluding shipping, installation labor or other repair costs. Defect and delays in repair do not give the right to compensation, or extension of the warranty. TO THE MAXIMUM EXTENT PERMITTED BY APPLICABLE LAW, ATLAS FILTRI NORTH AMERICA, LLC SHALL NOT BE LIABLE FOR ANY OTHER EXPENSE, LOSS OR DAMAGE, WHETHER DIRECT, INCIDENTAL, PUNITIVE, CONSEQUENTIAL, OR EXEMPLARY ARISING IN CONNECTION WITH THE SALE OR USE OF OR INABILITY TO USE THE ATLAS FILTRI NORTH AMERICA, LLC PRODUCT FOR ANY PURPOSE. This limited warranty shall constitute the Purchaser's sole remedy and the sole liability of Atlas Filtri North America, LLC, whether on warranty, contract or negligence grounds, with regard to any actual or alleged defect in the condition or performance of any Atlas Filtri North America, LLC product. EXCEPT AS SPECIFICALLY SET FORTH HEREIN, ANY WARRANTY IMPLIED BY LAW, INCLUDING ANY WARRANTY OR MERCHANTABILITY OR FITNESS FOR A PARTICULAR PURPOSE, IS EXPRESSLY EXCLUDED. TO MAXIMUM EXTENT ALLOWED BY APPLICABLE LAW, THE FOREGOING STATEMENTS OF WARRANTY ARE EXCLUSIVE AND IN LIEU OF ALL OTHER REMEDIES.

d) Limitation of Liability. ATLAS FILTRI NORTH AMERICA, LLC'S LIABILITY ON ANY CLAIM OF ANY KIND RELATING TO THESE TERMS OR THE MANUFACTURE, SALE, DELIVERY, RESALE OR USE OF ANY ATLAS FILTRI NORTH AMERICA, LLC PRODUCT, SHALL IN NO EVENT EXCEED THE PRICE OF THE ATLAS FILTRI NORTH AMERICA, LLC PRODUCT WHICH GAVE RISE TO ANY SUCH CLAIM.

NOTICE

We recommend that before installing a water filtration system you have the water tested to determine actual water filtering needs.

NOTICE

**Use only original ATLAS FILTRI spare parts.
The use of non-original ATLAS FILTRI spare parts voids the warranty.**

MAINTENANCE RECORDS

DATE	TYPE OF MAINTENANCE

NOTES



ATLAS FILTRI®

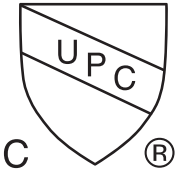
improving water

INSTRUCCIONES PARA LA INSTALACIÓN Y MANTENIMIENTO DE LOS FILTROS AUTOLIMPIANTES HYDRA BIG

Estimado Cliente,

Gracias por elegir este producto fabricado en Italia por ATLAS FILTRI S.r.l., montado y comercializado en USA y Canadá por ATLAS FILTRI NORTH AMERICA, LLC. El filtro ha sido diseñado y fabricado en Italia por expertos de la industria con más de 40 años de experiencia.

Copyright: Este manual de instrucciones no se puede reproducir, total o parcialmente, de ningún modo (incluida su reproducción, digitalización o fotocopiado) sin el consentimiento por escrito de Atlas Filtri North America, LLC..



CERTIFICADOS DE CONFORMIDAD

LOS CONTENEDORES PARA FILTROS DE ATLAS FILTRI CUMPLEN CON LAS SIGUIENTES NORMAS ACEPTADAS INTERNACIONALMENTE:

Serie de filtros autolimpiantes **HYDRA BIG** certificadas por **IAPMO R&T** según las normas **NSF/ANSI 42, 61, 372 y CSA B483.1** para seguridad del material, integridad estructural y requisitos sin plomo.

ÍNDICE

1	Símbolos de alerta de seguridad	10
2	Información general	10
3	Calificación del personal	10
4	Precauciones, advertencias	10
5	Instalación	11
6	Arranque	12
7	Uso	12
8	Piezas de repuesto	13
9	Mantenimiento	13
10	Resolución de problemas	15
11	Disposición del filtro y del cartucho	15
12	GARANTÍA LIMITADA	15

Contactos:

ATLAS FILTRI North America LLC
1068 North Farms Road Bldg. #3 - Wallingford, CT 06492, USA
Phone +1(203)284-0080 - Fax +1(203)294-9226
e-mail: atlasfiltrinorthamerica@atlasfiltri.com

Una empresa del Grupo Atlas Filtri.
us.atlasfiltri.com

Atlas Filtri S.r.l.
Oficina central
y producción en Italia

COMPANY WITH
MANAGEMENT SYSTEM
CERTIFIED BY DNV
ISO 9001 • ISO 14001
ISO 45001

1 - Símbolos de alerta de seguridad



SEÑAL DE ADVERTENCIA: Indica una posible situación de peligro que, si no se evita, puede ocasionar lesiones graves o incluso la muerte. Resalta condiciones que son un grave riesgo para la seguridad de las personas.



SEÑAL DE PRECAUCIÓN: Indica una posible situación de peligro que, si no se evita, puede ocasionar lesiones menores o moderadas y alerta sobre prácticas no seguras.



SEÑAL DE AVISO: Lo alerta sobre hechos y situaciones pertinentes.

2 - Información general



LEA ATENTA Y CUIDADOSAMENTE LAS INSTRUCCIONES DE ESTE MANUAL Y COMPRENDA SU CONTENIDO ANTES DE INSTALAR TU CONTENEDOR PARA FILTROS ATLAS FILTRI.

- La información contenida en este manual de instrucciones está sujeta a modificaciones sin previo aviso y no es vinculante para el fabricante Atlas Filtri North America, LLC.
- Guarde el manual de instrucciones para referencia en el futuro.

Contactos: Consulte la página 9.

Identificación del producto: En la caja del producto se coloca una etiqueta que lleva la identificación del producto, número de serie y lote de producción. Una etiqueta adicional describe la presión máxima de trabajo y la temperatura máxima de funcionamiento del contenedor para filtros.

La etiqueta no se debe retirar, falsificar, esconder, cubrir ni cambiar.

Si se pierde la etiqueta sobre el producto o no se pueden leer las condiciones operativas, **NO INSTALE** el filtro y póngase en contacto con Atlas Filtri North America LLC Distribuidores Autorizados o póngase en contacto con el fabricante por correo electrónico en atlasfiltrinorthamerica@atlasfiltri.com.



Los valores de temperatura máxima de trabajo y de presión máxima de trabajo que se indican en la etiqueta fijada al filtro están entendidos como parámetros máximos de trabajo y no se deben sobrepasar en ningún caso.

3 - Calificación del personal

SOLO PERSONAL CALIFICADO Y AUTORIZADO PUEDE REALIZAR LA INSTALACIÓN, EL SERVICIO Y EL MANTENIMIENTO de los FILTROS ATLAS FILTRI.


4 - Precauciones, advertencias

LEA TODAS LAS INSTRUCCIONES Y PRECAUCIONES ANTES DE INSTALAR Y DE USAR EL PRODUCTO ATLAS FILTRI.



 Antes de la instalación asegúrese de que los enchufes en la inmediaciones del área estén desconectados.

 No instalar cerca de dispositivos eléctricos.

 No lo use con agua que no sea microbiológicamente segura o de calidad desconocida sin la adecuada desinfección previa o posterior del sistema de filtración. Los sistemas certificados para la reducción de quistes podrían ser usados en aguas que podrían contener quistes filtrables.

PRECAUCIÓN

Cierre la cañería principal del agua antes de la instalación.

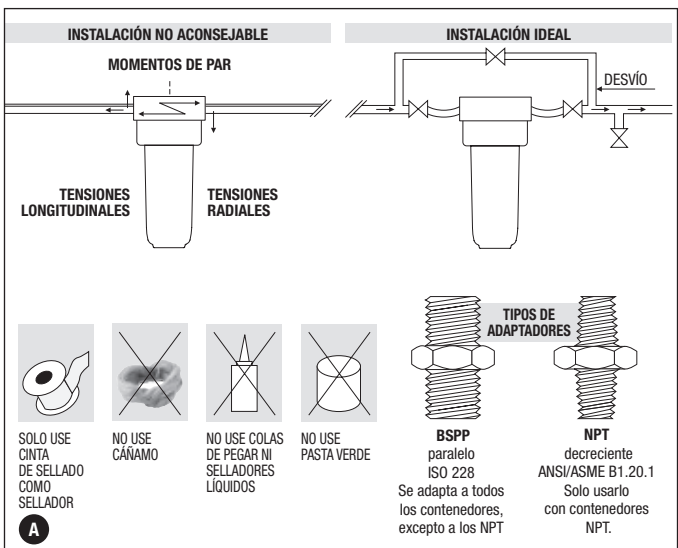
5 - Instalación

Consulte las Figuras A, B y C para las directivas de instalación.

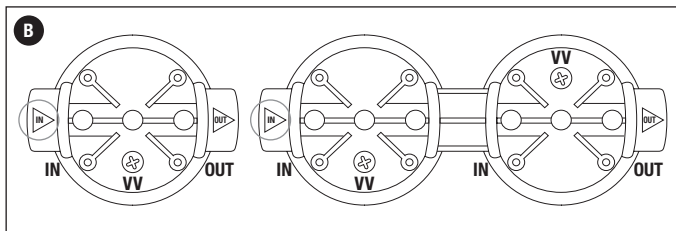
- Antes de la instalación, controle que el sistema de tuberías se haya construido según el código aplicable para tuberías.
- Evite todo tipo de tensiones usando un soporte de pared de Atlas Filtri provisto de serie. Si fuera imposible el uso del soporte de pared, el instalador (persona calificada y experimentada) será responsable de realizar una instalación más adecuada para evitar tensiones que puedan afectar la integridad del filtro.
- Conecte la entrada al lado del producto con la flecha IN (entrada) y la salida al lado con la flecha OUT (salida). (Figura B)
- **Conecte la tubería usando conexiones cónicas (decreciente) únicamente si los filtros están marcados como NPT y/o si los filtros están especificados como NPT en la etiqueta adherida en la caja del producto. Preferentemente conecte a la tubería usando mangueras flexibles.**
- Solo use cinta de sellado como sellador para las conexiones.
- Se recomienda la instalación de un desvío (by-pass) (consulte la Figura A).
- Instale el kit de desagüe suministrado en el colector del filtro: enrosque la válvula de drenaje en la conexión roscada macho del colector y después, enrosque la tolva de desagüe (o la manguera) en la válvula de desagüe, asegurándose de que las 2 juntas suministradas con la válvula esférica estén colocadas correctamente en su lugar.
- En caso de HYDRA BIG M (modelos con manómetros): enrosque el manómetro suministrado en el orificio situado en la parte superior del cabezal de Hydra BIG, utilizando cinta de sellado para que quede fijado.
- Conectar al embudo de descarga o al acople de goma, ubicado en la base del filtro, un tubo de goma entelada debidamente fijado con una abrazadera y enviado a la descarga (véase figura D1 y D2). El punto de descarga debe estar a una altura inferior a la del embudo de descarga o del acople de goma. La manguera de goma no debe tener más de 6.5 pies (2 metros) de longitud.

ADVERTENCIA

Evitar pliegues y estrangulamientos del tubo de goma entelada: podrían causar contrapresiones en la descarga, perjudicando su funcionamiento.



Modos de presentación de direcciones de entrada y salida (flechas) en los diferentes modelos de contenedores para filtros.



6 - Arranque

- Guarde el paquete del filtro con la etiqueta para identificar el producto.
- Asegúrese de que el sellado sea fuerte y el adecuado.
- Completadas las operaciones de instalación y de conexión de la descarga del filtro, realizar los siguientes procedimientos:
 - Comprobar que no haya pérdidas hidráulicas, abriendo de forma gradual el agua de entrada al filtro.
 - Llenar el filtro de manera gradual hasta aproximadamente 3/4 de la capacidad y luego purgar el aire presente en el filtro abriendo el tornillo de purga ubicado en la cabeza del aparato, verificando que todo el aire sea expulsado hasta que el filtro se llene completamente con agua, luego cerrar el tornillo de purga.
- Después de la instalación, abra el grifo y deje correr el agua por al menos 5 minutos antes de usarla.

PRECAUCIÓN

La calidad inicial del agua no será óptima a menos que haga correr el agua por al menos 5 minutos antes de usarla.

7 - Uso (verifique la etiqueta sobre la caja para identificar serie y modelo del filtro)

- Consulte la Figura C para conocer el diseño de instalación.
- Las series HYDRA BIG de cajas para filtros están certificadas por IAPMO R&T frente a los Estándares NSF/ANSI 42, 61, 372-libres de plomo, CSA B483.1 para el filtrado de agua potable. No se permite el uso para el filtrado de agua potable; no se permite el uso para el filtrado de agua insalubre o de calidad desconocida.
- Verifique el modelo de contenedor en la etiqueta colocada sobre la caja del producto y en la etiqueta impresa en contenedor.
- Respete los parámetros de trabajo mostrados en la etiqueta pegada al filtro.
- Si la presión excede las condiciones de funcionamiento, proteja el producto con un reductor de presión.
- Mantenga protegido de la luz. Suministre sólo agua fría, con pH entre los valores de agua potable.
- Proteja de excesivo calor o frío: no exponga a temperaturas por debajo de 39 °F (4 °C) o por encima de 113 °F (45 °C)
- Protección de reflujos de agua con una válvula de no retorno.
- Proteja del golpeteo con un dispositivo anti golpeteo.
- Si se deja el filtro no en empleo durante más de 1 semana quite el cartucho, límpielo y lo tenga en lugar limpio y seco. Inserte el cartucho atrás en el filtro sólo antes del empleo.

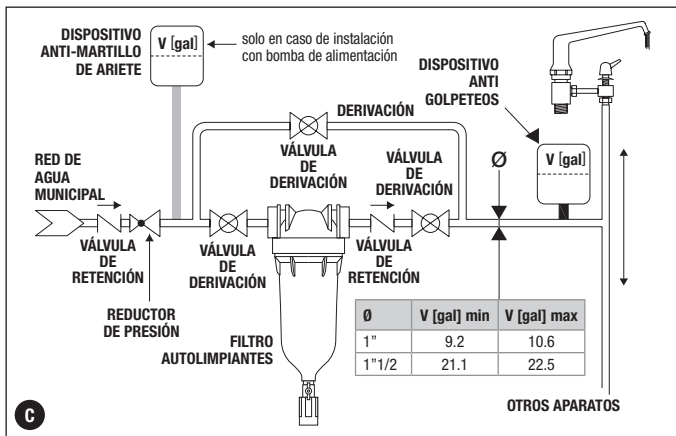
PRECAUCIÓN



Los valores de temperatura máxima de trabajo y de presión máxima de trabajo que se indican en la etiqueta fijada al contenedor del filtro están pensados como parámetros máximos de trabajo y no se deben exceder. El uso de la caja para filtros en condiciones de altas presiones y/o temperaturas elevadas puede causar daños.

ESQUEMA DE INSTALACIÓN

Consulte en la tabla el volumen del dispositivo adecuado (V) en función del diámetro de la tubería (\emptyset).



8 - Accesorios, repuestos y cartuchos de filtros

Los accesorios y repuestos están disponibles a través de los revendedores y mayoristas de la red de Atlas Filtri North America LLC. Red de distribuidores autorizados, mayoristas y minoristas. En caso de dificultad, contacte con Atlas Filtri North America LLC enviando un correo electrónico a atlasfiltrinorthamerica@atlasfiltri.com.

AVISO

Use sólo repuestos ATLAS FILTRI originales. El uso de repuestos no originales para los filtros ATLAS invalida la garantía de los mismos.

9 - Mantenimiento

El mantenimiento ordinario consiste en realizar el lavado en contracorriente del cartucho filtrante, abriendo la válvula de descarga durante 15-20 segundos.

El caudal mínimo requerido para un retro-lavado eficaz es de 8,8 gpm (RAH) o 10,6 gpm (RLH).

Si el cartucho no estuviera perfectamente limpia tras la operación de lavado, repetir la operación con el mismo modo una o varias veces hasta obtener la limpieza deseada. Si no fuera posible lograr una limpieza aceptable para el buen funcionamiento del filtro, intervenir según el procedimiento de mantenimiento extraordinario indicado más adelante.

- Abriendo la válvula de descarga se genera una depresión en el filtro que empuja el cartucho hacia abajo, automáticamente invirtiendo el flujo de agua del interior (contracorriente) fuera del cartucho (mirar Fig. E1). Este flujo de agua en contracorriente lleva partículas y sustancias depositadas sobre el cartucho al embudo de descarga.
- Apagar la válvula después de un par de segundos devuelve la distribución de presión a sus condiciones iniciales y el muelle interior devuelve el cartucho a su posición de servicio (mirar Fig. E2).

El filtro Hydra BIG destaca un embudo de descarga, que es un dispositivo diseñado para proteger el agua potable contra la contaminación por reflujo, conforme al estándar europeo UNI EN 1717/2002.

AVISO

Los modos de operación descritos arriba y la limpieza de retrolavado en contracorriente ocurren en condiciones excelentes con mínimo 26 psi (1.8 bar) bar de suministro de presión. El caudal mínimo requerido para un retro-lavado eficaz es de 8,8 gpm (RAH) o 10,6 gpm (RLH).

Con el tiempo la limpieza del cartucho realizada mediante las operaciones de mantenimiento ordinario puede ser problemática debido a eventuales incrustaciones en la red del cartucho. En este caso, hay que realizar una limpieza adicional del cartucho de la manera siguiente:

- interrumpir el flujo de agua antes del filtro;
- abra la válvula de desagüe y deje que se vacíe toda el agua;

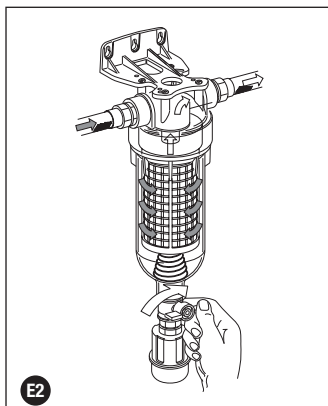
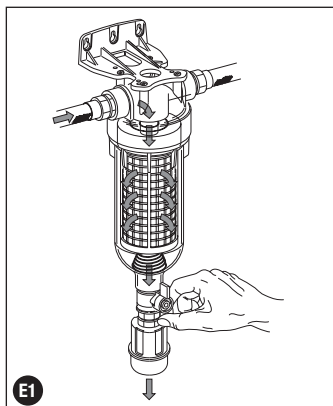
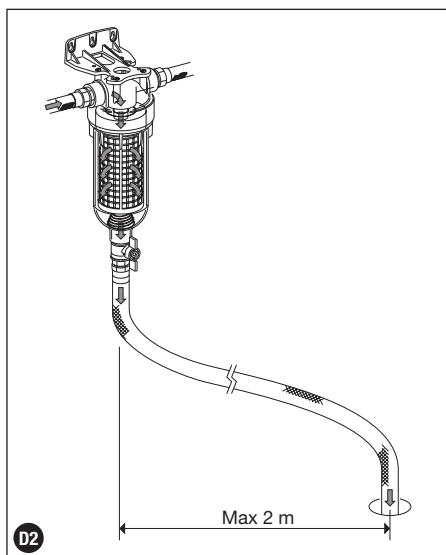
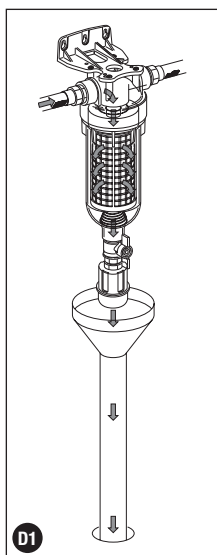
- abrir el filtro desenroscando el vaso de la cabeza, utilizando la llave de apertura específica (prevista de serie);
- extraer el cartucho (utilizando guantes de protección para evitar eventuales excoiraciones causadas por la malla desgastada);
- lavar el cartucho bajo un chorro de agua fría y, si fuera necesario, ayudarse con un cepillo suave para eliminar la mayoría de las impurezas;
- introducir el cartucho limpio en el vaso;
- enroscar el vaso en la cabeza;
- poner nuevamente en funcionamiento el filtro siguiendo los procedimientos de "PUESTA EN FUNCIONAMIENTO"

ADVERTENCIA

Si las incrustaciones persistieran, o si la presión diferencial de los manómetros continuara siendo superior a 21.8 psi (1.5 bar) después de la puesta en funcionamiento del filtro, sustituir el cartucho con uno nuevo.

PRECAUCIÓN

Tras la realización de las operaciones de mantenimiento, abra la llave situada en el tramo inferior del filtro durante al menos 5 minutos, antes de utilizar el agua.



10 - Resolución de problemas

PROBLEMA	CAUSAS	SOLUCIONES
No sale agua de las llaves	- Cartucho obstruido; - rotura del vaso; - By-pass cerrado	- Limpiar el cartucho, siguiendo los procedimientos de mantenimiento; - sustituir el vaso y la correspondiente junta tórica; - abrir las válvulas de interceptación o de by-pass cerradas.
Sale agua no filtrada de las llaves	- Cartridge broken - Spring broken - Cartridge gasket damaged	- Sustituir el cartucho; - sustituir el muelle; - sustituir la junta del cartucho.
El cartucho no se limpia	- Insufficient pressure in the sump - Cartridge not correctly positioned in the sump	- Controle la manguera de desagüe: si estuviera pinzada o doblada, resuelva el problema; - girar en el sentido de las agujas del reloj o en sentido contrario a las mismas el cartucho para que pueda moverse verticalmente sin esfuerzo en el vaso.
Pérdida de agua entre la cabeza y el vaso del filtro	- Sump o-ring damaged	- Sustituya la junta tórica y lubrique.
Pérdida de agua por las conexiones entre los tubos y los roscados laterales del filtro	- Sealant insufficient	- Dé varias vueltas a la cinta de sellado y apriete firmemente
Pérdida de agua entre el vaso y la válvula de descarga	- Drain valve gasket damaged	- Sustituir la junta.

11 - Disposición del filtro y del cartucho

Los contenedores y los cartuchos se deben disponer de acuerdo con las reglas y las normativas vigentes.

12 - GARANTÍA LIMITADA

a) Garantía limitada: Atlas Filtri North America, LLC garantiza por un período de 12 meses desde la fecha de compra del contenedor que cada contenedor nuevo Atlas Filtri North America, LLC debe ser libre de defectos en los materiales o de fabricación, bajo uso y mantenimiento normales, sujeto a las siguientes exclusiones y limitaciones.

b) Exclusiones: La garantía ofrecida por Atlas Filtri S.r.l. no es válida en los siguientes casos:

(i) El cartucho y todo componente sujetos al desgaste por el uso como parte de su funcionamiento normal, incluidas sin limitaciones las juntas.

(ii) La instalación, la alteración, las modificaciones, la falta de mantenimiento o el mantenimiento incorrecto, el mantenimiento no llevado a cabo de acuerdo con las instrucciones de Atlas Filtri North America, LLC o por personal no calificado.

(iii) La instalación o el uso de piezas u otros componentes no autorizados por Atlas Filtri North America, LLC

(iv) La instalación del producto en ambientes no adecuados o en condiciones que no estén contempladas en el manual de instrucciones.

c) Limitaciones: La responsabilidad de Atlas Filtri North America, LLC bajo esta garantía limitada está limitada únicamente al reemplazo del producto defectuoso por un distribuidor de Atlas Filtri North America, LLC en su lugar de negocios en el horario habitual, excluye el envío, el trabajo de instalación u otros costos de reparación. El defecto o las demoras en la reparación no dan derecho a compensación ni extensión de la garantía. Esto no lo incluye la garantía. DENTRO DE LO PERMITIDO POR LA LEY VIGENTE, ATLAS FILTRI NORTH AMERICA, LLC NO SERÁ RESPONSABLE DE OTROS GASTOS, PÉRDIDA O DAÑO, YA SEA DE FORMA DIRECTA, CASUAL, PUNITIVA, RESULTANTE O EJEMPLAR QUE SURJAN EN CONEXIÓN CON LA VENTA O EL USO O LA INCAPACIDAD DE USAR EL PRODUCTO ATLAS FILTRI NORTH AMERICA, LLC PARA CUALQUIER FIN. Esta garantía limitada representará el único recurso del Comprador y la única responsabilidad de Atlas Filtri North America, LLC, ya sea por motivos de garantía, contractuales o de negligencia, respecto a cualquier defecto, real o supuesto, en el estado o rendimiento de cualquier

producto Atlas Filtri North America, LLC EXCEPTO LO ESPECÍFICAMENTE DISPUESTO AQUÍ, QUEDA EXPRESAMENTE EXCLUIDA TODA GARANTÍA IMPLÍCITA POR LEY, INCLUIDA TODA GARANTÍA O COMERCIABILIDAD O IDONEIDAD PARA UN FIN PARTICULAR. DENTRO DE LO PERMITIDO POR LA LEY VIGENTE, LAS PRESENTES CLÁUSULAS DE GARANTÍA SON EXCLUSIVAS Y SUSTITUTIVAS DE CUALQUIER OTRA SOLUCIÓN.

d) Limitación de responsabilidad. LA RESPONSABILIDAD DE ATLAS FILTRI NORTH AMERICA, LLC SOBRE CUALQUIER RECLAMO DE CUALQUIER TIPO RELACIONADO CON LOS PRESENTES TÉRMINOS O CON LA FABRICACIÓN, VENTA, ENTREGA, REVENTA O USO DE CUALQUIER PRODUCTO ATLAS FILTRI NORTH AMERICA, LLC NO EXCEDERÁ EN NINGÚN CASO EL PRECIO DEL PRODUCTO ATLAS FILTRI NORTH AMERICA, LLC QUE DÉ LUGAR A DICHO RECLAMO.

AVISO

Recomendamos que antes de instalar un sistema de filtración de agua, haga comprobar la misma para determinar las necesidades de filtro de agua.

AVISO

Use sólo repuestos ATLAS FILTRI originales. El uso de repuestos no originales para los filtros ATLAS invalida la garantía de los mismos.

RECOLECCIÓN DE DATOS DE MANTENIMIENTO

FECHA	TIPO DE MANTENIMIENTO

NOTAS



ATLAS FILTRI®

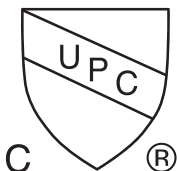
improving water

INSTRUCTIONS D'INSTALLATION ET D'ENTRETIEN DES FILTRES AUTONETTOYANTS HYDRA BIG

Cher Client,

Nous vous remercions d'avoir choisi ce produit fabriqué en Italie par ATLAS FILTRI S.r.l. et assemblé et commercialisé aux États-Unis et au Canada par ATLAS FILTRI NORTH AMERICA, LLC. Ce filtre a été conçu et fabriqué en Italie en s'appuyant sur 40 ans d'expérience dans l'industrie.

Droit d'auteur: Toute reproduction, totale ou partielle et sous toute forme (y compris par enregistrement, numérisation ou photocopie) de ce manuel d'instruction est interdite sans l'autorisation écrite de la société Atlas Filtri North America, LLC.



CERTIFICATS DE CONFORMITÉ

LES CORPS DE FILTRES ATLAS FILTRI SONT CONFORMES AUX NORMES INTERNATIONALES SUIVANTES:

Série de filtres autonettoyants **HYDRA BIG** certifiés par **IAPMO R&T** selon les normes **NSF/ANSI 42, 61, 372** et **CSA B483.1** pour la sécurité des matériaux, l'intégrité structurelle et les exigences sans plomb.

TABLE DES MATIÈRES

1	Symboles d'avertissement de sécurité	18
2	Généralités	18
3	Qualification du personnel	18
4	Précautions, Mises en garde	18
5	Installation	19
6	Mise en fonction	20
7	Utilisation	20
8	Pièces de rechange	21
9	Entretien	21
10	Résolution des pannes	23
11	Élimination du filtre et de la cartouche	23
12	GARANTIE LIMITÉE	23

Contact:

ATLAS FILTRI North America LLC
1068 North Farms Road Bldg. #3 - Wallingford, CT 06492, USA
Phone +1(203)284-0080 - Fax +1(203)294-9226
e-mail: atlasfiltrinorthamerica@atlasfiltri.com

Une société du Groupe Atlas Filtri.
us.atlasfiltri.com

Atlas Filtri S.r.l.
Siège et
production en Italie

COMPANY WITH
MANAGEMENT SYSTEM
CERTIFIED BY DNV
ISO 9001 • ISO 14001
ISO 45001

1 - Symboles d'avertissement de sécurité



SYMBOLE DE MISE EN GARDE: Indique une situation potentiellement dangereuse qui peut entraîner, si elle n'est pas évitée, des blessures graves, voire la mort. Indique des conditions qui comportent un risque.



SYMBOLE D'ATTENTION: Indique une situation potentiellement dangereuse qui peut, si elle n'est pas évitée, provoquer une blessure légère ou modérée, et met en garde contre des pratiques dangereuses.



SYMBOLE DE REMARQUE: Attire votre attention sur des faits et des conditions pertinents.

2 - Généralités



VEUILLEZ LIRE CE MANUEL D'INSTRUCTION INTÉGRALEMENT ET ATTENTIVEMENT ET DE S'ASSURER D'AVOIR BIEN COMPRIS SON CONTENU AVANT D'INSTALLER VOTRE CORPS DE FILTRE ATLAS FILTRI.

- Les informations contenues dans ce manuel d'instruction sont susceptibles de subir des modifications sans préavis et ne sont pas contraignantes pour le fabricant, Atlas Filtri North America, LLC.
- Conserver ce manuel d'instruction en vue de futures consultations.

Contact: Voir page 17.

Identification du produit: Une étiquette comportant les données d'identification du produit, son numéro de série et le lot de production est appliquée sur l'emballage du produit. Une autre étiquette, indiquant la pression de service maximum et la température de fonctionnement maximum, est appliquée sur le corps du filtre.

Ne pas enlever l'étiquette ni l'altérer, la cacher, la couvrir ou la modifier.

Si l'étiquette normalement située sur le produit est absente ou si les conditions de fonctionnement indiquées sur l'étiquette ne sont pas lisibles, **NE PAS INSTALLER** le filtre et contacter les distributeurs agréés Atlas Filtri North America LLC ou bien contacter le fabricant par courrier électronique à l'adresse atlasfiltrinorthamerica@atlasfiltri.com.



Les valeurs de la température de fonctionnement maximum et de la pression de service maximum qui sont indiquées sur l'étiquette appliquée sur le corps du filtre doivent être considérées comme des paramètres maximums de fonctionnement et ne doivent être dépassées en aucun cas.

3 - Qualification du personnel

SEUL LE PERSONNEL QUALIFIÉ ET AUTORISÉ EST HABILITÉ À EFFECTUER L'INSTALLATION, LE SERVICE ET L'ENTRETIEN DES FILTRES ATLAS FILTRI.

4 - Précautions, Mises en garde

LIRE TOUTES LES INSTRUCTIONS ET PRÉCAUTIONS AVANT D'INSTALLER ET D'UTILISER VOTRE PRODUIT ATLAS FILTRI.



Avant l'installation, s'assurer que toutes les prises électriques situées près de la zone considérée soient débranchées.



Ne pas installer le produit près d'appareils électriques.



Ne pas utiliser une eau dont la sécurité sur le plan microbiologique n'est pas certaine ou de qualité inconnue sans une désinfection appropriée en amont ou en aval du système. Les systèmes certifiés pour la réduction des kystes peuvent être utilisés avec des eaux qui contiennent des kystes filtrables.

ATTENTION

Couper le réseau de distribution de l'eau avant l'installation.

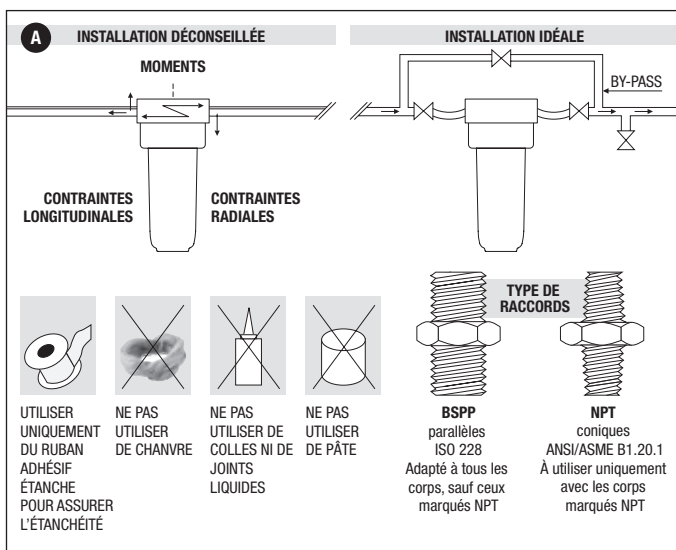
5 - Installation

Consulter les Fig. A, B et C pour les consignes d'installation.

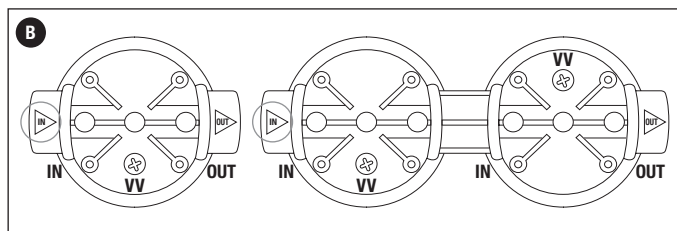
- Avant l'installation, vérifier que l'installation de plomberie ait bien été réalisée conformément au code de plomberie applicable.
- Utiliser le support mural fourni afin d'éviter tout type de contrainte. S'il est impossible d'utiliser le support mural, l'installateur (personnel qualifié et autorisé) est tenu d'adopter la solution d'installation la plus appropriée pour éviter toute contrainte susceptible de nuire à l'intégrité du filtre.
- Connecter le raccord d'entrée au côté du produit avec la flèche IN et le raccord de sortie au côté avec la flèche OUT. (Fig. B)
- **Effectuer le raccordement aux tuyaux au moyen de raccords coniques UNIQUEMENT si le corps de filtre est marqué comme NPT et/ou si le corps de filtre est indiqué comme NPT sur l'étiquette appliquée sur l'emballage du produit. Effectuer de préférence le raccordement aux tuyaux avec des tuyaux flexibles.**
- Utiliser uniquement du ruban adhésif étanche pour assurer l'étanchéité des raccords.
- Il est conseillé d'installer un by-pass (voir Fig. A).
- Installer le kit de vidange fourni sur le bol du filtre : visser le robinet de vidange sur le raccord fileté mâle du bol, puis visser l'entonnoir de vidange (ou le raccord du tuyau flexible) au robinet de vidange, en s'assurant que les 2 joints fournis avec le clapet à bille soit bien installés et positionnés.
- Pour les modèles HYDRA BIG M (avec manomètres) : visser les manomètres fournis aux raccords prévus à cet effet au sommet de la tête Hydra BIG, en assurant leur étanchéité avec du ruban adhésif étanche.
- Connecter un tuyau en caoutchouc flexible renforcé à l'entonnoir de vidange (ou au raccord du tuyau flexible) à la base du filtre, le fixer avec un collier et faire en sorte qu'il se vide dans la vidange (voir figures D1 et D2). Le point de vidange doit être situé plus bas que l'entonnoir de vidange ou le raccord du tuyau flexible. Le tuyau flexible en caoutchouc ne doit pas mesurer plus de 6,5 pieds (2 mètres) de long.

MISE EN GARDE

Éviter de plier ou d'étrangler le tuyau en caoutchouc renforcé de toile de chanvre: ceci risquerait de générer une contre-pression contre la vidange et d'entraîner ainsi des dysfonctionnements.



Modalités de présentation des sens d'entrée et de sortie (flèches) sur les différents modèles de corps de filtre.



6 - Mise en fonction

- Conserver l'emballage du filtre avec l'étiquette appliquée pour identifier le produit.
- S'assurer que l'étanchéité soit correcte et qu'il n'y ait pas de fuites.
- Une fois le filtre installé et le tuyau flexible en caoutchouc raccordé à la vidange, procéder de la manière suivante:
 - Ouvrir progressivement l'alimentation en eau du filtre et s'assurer qu'il n'y ait pas de fuite d'eau;
 - Remplir progressivement le filtre jusqu'en haut puis purger l'air présent dans le filtre: ouvrir la soupape de désaération sur la tête du filtre et s'assurer que tout l'air soit purgé et que le filtre se remplisse complètement d'eau, puis fermer la soupape de désaération.
- Après l'installation, ouvrir le robinet et laisser l'eau s'écouler pendant au moins 5 minutes avant l'utilisation.

ATTENTION

La qualité initiale de l'eau ne sera pas optimale si le robinet n'est pas ouvert pendant au moins 5 minutes avant l'utilisation.

7 - Utilisation (Voir l'étiquette sur l'emballage pour identifier la série et le modèle du produit)

- Se référer à la Figure C pour le schéma d'installation.
- Les corps de filtre de la série HYDRA BIG sont certifiés conformes aux normes NSF/ANSI 42, 61, 372-sans plomb, et CSA B483.1 pour la filtration de l'eau potable par l'IAPMO R&T. Ne pas utiliser pour la filtration de l'eau potable, ne pas utiliser pour la filtration d'une eau dont la sécurité n'est pas assurée et de qualité inconnue.
- Vérifier le modèle du filtre sur l'étiquette appliquée sur l'emballage du produit et dans la légende intitulée "Légende étiquette" imprimée sur l'emballage.
- Respecter les paramètres de fonctionnement indiqués sur l'étiquette située sur le corps de filtre.
- Si la pression dépasse les conditions de fonctionnement, protéger le produit avec un réducteur de pression.
- Tenir à l'abri de la lumière. Pour l'alimentation, utiliser uniquement de l'eau froide avec un pH compris dans la plage d'eau potable.
- Protéger de la chaleur ou du froid excessifs : ne pas exposer à une température inférieure à 39 °F (4 °C) ou supérieure à 113 °F (45 °C).
- Protéger des reflux d'eau avec un clapet de non-retour.
- Protéger des coups de bélier avec un dispositif anti-coup de bélier.
- Si le filtre doit rester inutilisé pendant 1 semaine ou plus, extraire la cartouche, l'essuyer pour la nettoyer et la ranger dans un endroit propre et sec. Ne réinsérer la cartouche dans le filtre qu'avant l'utilisation.

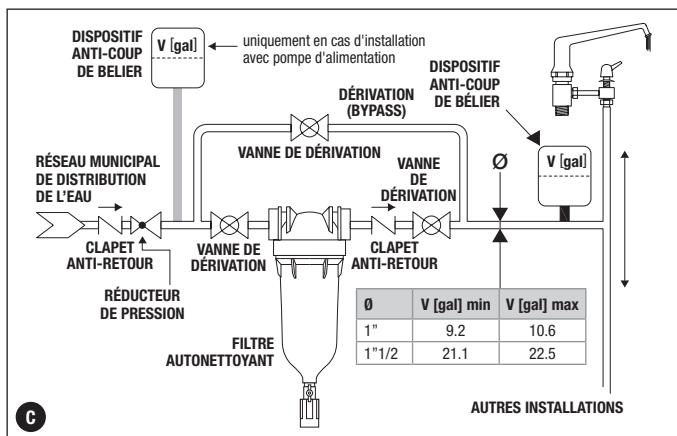
ATTENTION



Les valeurs de la température de fonctionnement maximum et de la pression de service maximum qui sont indiquées sur l'étiquette appliquée sur le corps du filtre doivent être considérées comme des paramètres maximums de fonctionnement et ne doivent pas être dépassées. L'utilisation du corps de filtre dans des conditions de haute pression et/ou de haute température peut entraîner des ruptures.

SCHÉMA D'INSTALLATION

Vérifiez dans le tableau le volume approprié de l'appareil (V) en fonction du diamètre de la tuyauterie (Ø).



8 - Accessoires et pièces de rechange

Les accessoires et pièces de rechange sont disponibles auprès des distributeurs agréés détaillants et grossistes de Atlas Filtri North America LLC. En cas de difficultés, contacter Atlas Filtri North America LLC par courrier électronique à l'adresse atlasfiltrinorthamerica@atlasfiltri.com.

REMARQUE

Utiliser uniquement des pièces de rechange originales ATLAS FILTRI. L'utilisation de pièces de rechange non-originales, c'est-à-dire non fournies par ATLAS FILTRI, entraîne la déchéance de la garantie.

9 - Entretien

L'entretien courant consiste à nettoyer la cartouche du filtre par un contre-lavage à contre-courant en ouvrant le robinet de vidange inférieur pendant 15 à 20 secondes.

Le débit minimum requis pour un lavage à contre-courant efficace est de 8,8 gpm (RAH) ou 10,6 gpm (RLH).

Si la cartouche n'est pas parfaitement propre après le lavage, répéter l'opération selon la même procédure, une ou plusieurs fois, jusqu'à obtenir la propreté voulue. Si la propreté nécessaire au bon fonctionnement du filtre n'est pas atteinte, appliquer la procédure suivante.

- L'ouverture du robinet de vidange crée une baisse de pression dans le filtre qui pousse la cartouche vers le bas, inversant ainsi automatiquement le flux d'eau de l'intérieur (contre-courant) vers l'extérieur de la cartouche (voir Fig. E1). Ce flux d'eau à contre-courant transporte les particules et substances déposées sur la cartouche vers la vidange.
- En fermant le robinet de vidange après quelques secondes, la distribution de la pression retourne à l'état initial et le ressort interne remet la cartouche dans sa position de service (voir Fig. E2).

Le filtre HYDRA BIG est doté d'un entonnoir de vidange; il s'agit d'un dispositif conçu pour protéger l'eau potable de la pollution par reflux, conformément à la norme européenne UNI EN 1717/2002.

REMARQUE

Les modes de fonctionnement décrits ci-dessus et le nettoyage à contre-courant s'effectuent dans d'excellentes conditions avec une pression d'alimentation minimum de 26 psi (1,8 bar). Le débit minimum requis pour un lavage à contre-courant efficace est de 8,8 gpm (RAH) ou 10,6 gpm (RLH).

Au fil du temps, le nettoyage périodique de la cartouche peut devenir difficile en raison de l'accumulation de saleté obstruant la trame de la cartouche.

Le cas échéant, il est nécessaire d'effectuer un nettoyage supplémentaire de la cartouche comme suit:

- Couper l'arrivée d'eau en amont du filtre;

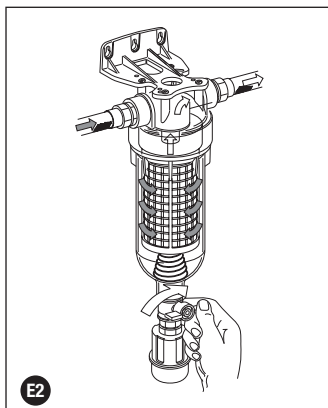
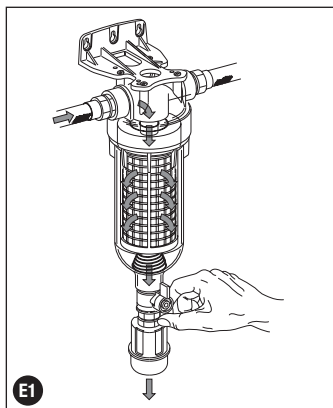
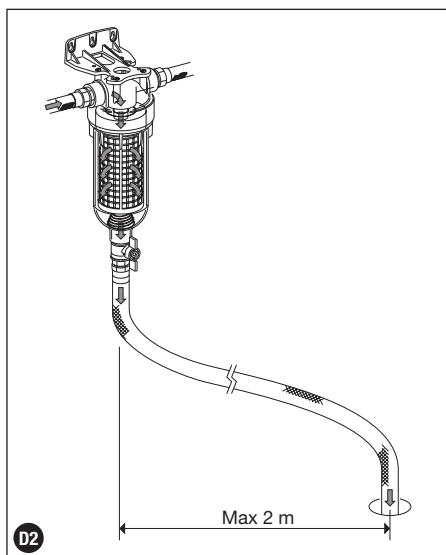
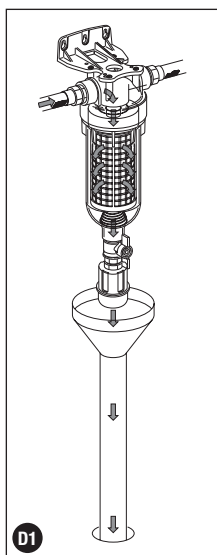
- Ouvrir le robinet de vidange et laisser l'eau s'écouler totalement;
- Ouvrir le filtre en dévissant le bol de la tête à l'aide de la clé fournie;
- Extraire la cartouche (en portant des gants de protection pour éviter toute éraflure avec les composants de la cartouche);
- Nettoyer la cartouche sous un jet d'eau froide et utiliser une brosse à poils souples pour éliminer la saleté;
- Réinsérer la cartouche dans le bol;
- Visser le bol sur la tête;
- Appliquer la procédure indiquée dans le chapitre "MISE EN FONCTION DU FILTRE" pour mettre le filtre en fonction.

ATTENTION

En cas d'incrustations persistantes sur la trame du filtre ou si la différence de pression entre les deux manomètres reste supérieure à 21.8 psi (1.5 bar) après le nettoyage, remplacer la cartouche du filtre par une cartouche neuve.

ATTENTION

Après avoir exécuté les opérations d'entretien, ouvrir un robinet en aval du filtre pendant au moins 5 minutes avant d'utiliser l'eau.



10 - Résolution des pannes

DYSFONCTIONNEMENT	CAUSE	SOLUTION
L'eau ne s'écoule pas des robinets	- Cartouche obstruée - Bol cassé - Bypass fermé	- Nettoyer la cartouche selon la procédure d'entretien - Remplacer le bol et le joint torique - Ouvrir le bypass ou la vanne d'isolement fermée
De l'eau non filtrée s'écoule des robinets	- Cartouche cassée - Ressort cassé - Joint de la cartouche abîmé	- Remplacer la cartouche - Remplacer le ressort - Remplacer le joint de la cartouche
La cartouche ne se nettoie pas lors de l'opération de nettoyage automatique	- Pression insuffisante dans le bol - Cartouche mal positionnée dans le bol	- Vérifier le tuyau flexible de vidange: s'il est étranglé ou plié, corriger le problème - Tourner la cartouche en sens horaire ou antihoraire de manière à la déplacer verticalement sans contrainte dans le bol
Présence de fuites d'eau entre la tête du filtre et le bol	- Joint torique du bol abîmé	- Remplacer le joint torique et le lubrifier
Présence de fuites d'eau au niveau des raccords entre les tuyaux et des cotés des raccords d'ENTRÉE/SORTIE du filtre.	- Agent d'étanchéité insuffisant	- Ajouter quelques tours de ruban adhésif étanche et serrer les raccords à fond
Présence de fuites d'eau entre le bol et le robinet de vidange	- Joint du robinet de vidange abîmé	- Remplacer le joint

11 - Élimination du corps et de la cartouche du filtre

Éliminer les corps de filtre et les cartouches de filtre usagées conformément aux normes et réglementations en vigueur.

12 - GARANTIE LIMITÉE

a) Garantie limitée: Atlas Filtri North America, LLC garantit pendant une période de 12 mois à compter de la date d'achat du filtre que dans des conditions normales d'utilisation et d'entretien, tout nouveau filtre Atlas Filtri North America, LLC est privé de tout défaut de matériau et de fabrication, sous réserve des exclusions et limitations suivantes.

b) Exclusions: La garantie accordée par Atlas Filtri North America, LLC ne s'applique pas dans les cas suivants:

(i) Usure de la cartouche et de tout composant liée à leur utilisation normale, y compris, mais sans s'y limiter, les joints.

(ii) Installation, altération, modification, absence ou exécution incorrecte de l'entretien, exécution de l'entretien de manière non conforme aux instructions d'Atlas Filtri North America, LLC ou par un personnel non qualifié.

(iii) Installation et/ou utilisation de pièces ou autres composants non originaux, c'est-à-dire non fournis par Atlas Filtri North America, LLC.

(iv) Installation du filtre dans des environnements inappropriés et/ou dans des conditions non envisagées dans le manuel d'instruction.

c) Limitations: La responsabilité de la société Atlas Filtri North America, LLC dans le cadre de cette garantie limitée se limite exclusivement au remplacement du produit défectueux par un distributeur agréé Atlas Filtri North America, LLC à son siège d'exploitation normal et aux horaires normaux d'ouverture, hors frais de transport, de main d'œuvre d'installation et autres frais de réparation. Les éventuels défauts et retard de réparation ne donne aucun droit au versement d'indemnités ou à l'extension de la garantie. **DANS LA PLUS LARGE MESURE PERMISE PAR LA LOI APPLICABLE, LA SOCIÉTÉ ATLAS FILTRI NORTH AMERICA, LLC DÉCLINE TOUTE RESPONSABILITÉ QUANT À TOUS LES AUTRES FRAIS, PERTES OU DOMMAGES, DIRECTS, ACCESSOIRES, PUNITIFS, INDIRECTS OU EXEMPLAIRES LIÉS À LA VENTE, À L'UTILISATION OU À L'IMPOSSIBILITÉ D'UTILISER LE PRODUIT ATLAS FILTRI NORTH AMERICA, LLC DANS TOUT BUT.** La garantie limitée constituera le seul recours de l'Acheteur et la seule responsabilité de la société Atlas Filtri North America, LLC, pour faute ou sur base contractuelle ou de la garantie, pour tout

défaut effectif ou prétendu de l'état ou des performances de tout produit Atlas Filtri North America, LLC. SAUF SPÉCIFICATION CONTRAIRE DANS LE PRÉSENT DOCUMENT, TOUTE GARANTIE IMPLICITEMENT RECONNUE PAR LA LOI, Y COMPRIS TOUTE GARANTIE DE LA QUALITÉ MARCHANDE OU D'APTITUDE À L'EMPLOI, EST EXPRESSÉMENT EXCLUE. DANS LA PLUS LARGE MESURE PERMISE PAR LA LOI APPLICABLE, LES CLAUSES DE GARANTIE PRÉCÉDENTES SONT EXCLUSIVES ET REMPLACENT TOUT AUTRE RECOURS.

d) Limitation de responsabilité. LA RESPONSABILITÉ DE LA SOCIÉTÉ ATLAS FILTRI NORTH AMERICA, LLC EN CAS DE TOUTE RÉCLAMATION LIÉE À CES CONDITIONS OU À LA FABRICATION, LA VENTE, LA LIVRAISON, LA REVENTE OU L'UTILISATION DE TOUT PRODUIT DE LA SOCIÉTÉ ATLAS FILTRI NORTH AMERICA, LLC NE DÉPASSERA EN AUCUN CAS LE PRIX DU PRODUIT DE ATLAS FILTRI NORTH AMERICA, LLC QUI EST À L'ORIGINE DE CETTE RÉCLAMATION.

REMARQUE

Nous vous conseillons de faire tester l'eau afin de déterminer vos exigences effectives de filtration avant d'installer un système de filtration de l'eau.

REMARQUE

Utiliser uniquement des pièces de rechange originales ATLAS FILTRI. L'utilisation de pièces de rechange non-originales, c'est-à-dire non fournies par ATLAS FILTRI, entraîne la déchéance de la garantie.

REGISTRE D'ENTRETIEN

DATE	TYPE D'ENTRETIEN

NOTES
